



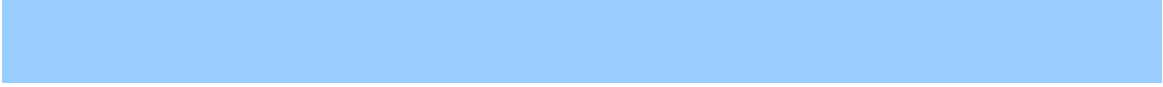
Model BS

BS Type



■ Performance Chart (1m³/min=35.315CFM)

Model	Bore	min ⁻¹	10kPa (1020mmAq)		20kPa (2040mmAq)		30kPa (3060mmAq)		40kPa (4080mmAq)		50kPa (5100mmAq)		60kPa (6120mmAq)	
			m ³ /min	kW	m ³ /min	kW	m ³ /min	kW	m ³ /min	kW	m ³ /min	kW	m ³ /min	kW
BS 32	1¼B	1600	0.44	0.36	0.34	0.47	0.23	0.59						
		1750	0.54	0.41	0.44	0.54	0.34	0.68						
		1900	0.64	0.48	0.54	0.62	0.44	0.78	0.35	0.96				
		2050	0.74	0.55	0.64	0.71	0.54	0.89	0.45	1.10				
		2200	0.85	0.63	0.75	0.82	0.65	1.02	0.56	1.24	0.47	1.49		
BS 40	1½B	1200	0.94	0.61	0.83	0.74	0.75	0.88	0.69	1.07	0.64	1.27		
		1300	1.04	0.67	0.93	0.82	0.85	0.98	0.79	1.20	0.73	1.41		
		1400	1.14	0.74	1.03	0.90	0.94	1.08	0.89	1.32	0.83	1.55	0.78	1.79
		1500	1.24	0.81	1.13	0.99	1.04	1.18	0.98	1.44	0.92	1.70	0.87	1.96
		1600	1.34	0.88	1.23	1.07	1.14	1.28	1.08	1.56	1.02	1.84	0.97	2.12
BS 50	2B	1000	1.30	0.7	1.15	0.9	1.03	1.3	0.94	1.5	0.85	1.9		
		1150	1.61	0.8	1.45	1.1	1.33	1.5	1.23	1.8	1.13	2.2		
		1250	1.81	0.9	1.65	1.2	1.52	1.6	1.43	2.0	1.32	2.4	1.28	2.9
		1400	2.11	1.0	1.94	1.4	1.81	1.9	1.72	2.3	1.61	2.7	1.56	3.3
		1500	2.31	1.1	2.14	1.5	2.01	2.0	1.91	2.4	1.80	2.9	1.75	3.6
BS 65	2½B	1000	1.89	1.0	1.74	1.3	1.64	1.7	1.56	2.1	1.47	2.6	1.39	3.1
		1150	2.24	1.1	2.09	1.5	1.98	2.0	1.90	2.4	1.81	2.9	1.71	3.5
		1250	2.47	1.2	2.32	1.6	2.21	2.1	2.12	2.6	2.03	3.1	1.93	3.8
		1350	2.70	1.3	2.54	1.8	2.44	2.3	2.35	2.8	2.25	3.4	2.15	4.1
		1450	2.94	1.4	2.77	1.9	2.66	2.4	2.57	3.0	2.47	3.6	2.37	4.4
		1550	3.17	1.5	3.00	2.0	2.89	2.6	2.79	3.2	2.69	3.8	2.58	4.6
BS 80	3B	1000	3.28	1.6	3.11	2.3	3.02	2.9	2.91	3.6	2.86	4.1	2.66	5.0
		1100	3.69	1.8	3.52	2.5	3.42	3.2	3.31	4.0	3.26	4.6	3.05	5.6
		1200	4.10	2.0	3.92	2.8	3.83	3.6	3.71	4.5	3.66	5.1	3.45	6.1
		1300	4.52	2.2	4.33	3.1	4.23	3.9	4.12	4.9	4.06	5.5	3.84	6.7
		1350	4.73	2.2	4.54	3.2	4.44	4.1	4.32	5.1	4.26	5.8	4.04	7.0
		1450	5.14	2.4	4.95	3.5	4.84	4.4	4.72	5.5	4.66	6.2	4.43	7.5
BS100	4B	1550	5.55	2.6	5.36	3.7	5.25	4.7	5.12	5.9	5.06	6.7	4.83	8.1
		900	5.05	2.3	4.64	3.3	4.36	4.4	4.12	5.4	3.89	6.4	3.72	7.4
		1000	5.93	2.7	5.35	3.8	5.02	5.0	4.80	6.2	4.58	7.3	4.39	8.5
		1100	6.59	3.0	6.06	4.3	5.73	5.7	5.48	7.0	5.28	8.3	5.07	9.6
		1200	7.48	3.4	6.77	4.8	6.34	6.3	6.16	7.8	5.97	9.2	5.75	10.7
		1300	8.15	3.7	7.48	5.3	7.05	7.0	6.85	8.6	6.67	10.2	6.43	11.8
BS125	5B	1400	8.82	4.0	8.19	5.8	7.75	7.6	7.49	9.4	7.26	11.1	7.10	12.9
		1450	9.27	4.2	8.62	6.1	8.15	7.9	7.82	9.8	7.59	11.6	7.44	13.5
		800	10.3	4.0	10.0	5.9	9.7	7.9	9.4	9.9	9.2	12.1	8.9	14.2
		900	11.7	4.5	11.5	6.7	11.1	9.0	10.8	11.3	10.6	13.8	10.3	16.2
		1000	13.2	5.1	12.9	7.6	12.6	10.1	12.3	12.7	12.0	15.5	11.7	18.2
		1100	14.7	5.6	14.4	8.4	14.0	11.2	13.7	14.1	13.4	17.2	13.1	20.2
BS150	6B	1200	16.1	6.2	15.8	9.3	15.4	12.3	15.2	15.5	14.9	19.0	14.5	22.2
		1300	17.6	6.8	17.3	10.1	16.9	13.4	16.6	16.8	16.3	20.7	15.9	24.2
		1350	18.3	7.0	18.0	10.5	17.6	14.0	17.3	17.5	17.0	21.5	16.6	25.2
		800	17.0	6.6	16.5	9.3	16.1	12.1	15.8	15.0	15.5	18.0	14.9	21.0
		900	19.3	7.7	18.8	10.8	18.4	14.1	18.1	17.6	17.8	21.0	17.2	24.5
		1000	21.7	8.8	21.1	12.4	20.8	16.1	20.4	20.1	20.1	24.0	19.4	28.1
BS200	8B	1050	22.9	9.4	22.3	13.2	21.9	17.1	21.5	21.3	21.2	25.5	20.6	29.8
		1100	24.1	9.9	23.5	14.0	23.1	18.2	22.7	22.6	22.4	27.1	21.7	31.6
		1150	25.3	10.5	24.6	14.7	24.2	19.2	23.8	23.9	23.5	28.6	22.8	33.4
		1200	26.4	11.0	25.8	15.5	25.4	20.2	25.0	25.1	24.7	30.1	24.0	35.1
		1250	27.6	11.6	27.0	16.3	26.6	21.2	26.1	26.4	25.8	31.6	25.1	36.9
		700	28.5	11.6	27.8	15.3	27.1	19.6	26.7	24.6	26.4	30.1	26.1	36.0

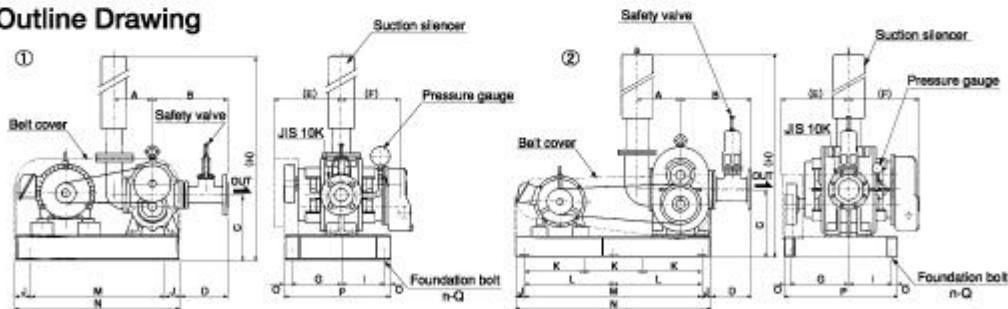


BS Type

Model	Bore	min ¹	10kPa (1020mmAq)		20kPa (2040mmAq)		30kPa (3060mmAq)		40kPa (4080mmAq)		50kPa (5100mmAq)		60kPa (6120mmAq)	
			m ³ /min	kW	m ³ /min	kW	m ³ /min	kW	m ³ /min	kW	m ³ /min	kW	m ³ /min	kW
BS200D	8B	700	29.3	8.6	27.7	14.1	26.4	19.6	25.4	25.3	24.5	31.1	23.6	37.0
		750	31.6	9.2	30.0	15.1	28.7	21.0	27.7	27.1	26.8	33.3	25.9	39.6
		800	34.0	9.8	32.4	16.1	31.1	22.4	30.1	29.0	29.2	35.5	28.3	42.3
		850	36.4	10.4	34.8	17.1	33.5	23.8	32.5	30.8	31.6	37.7	30.7	44.9
		900	38.7	11.1	37.1	18.1	35.8	25.2	34.8	32.6	33.9	39.9	33.0	47.5
		950	41.1	11.7	39.5	19.1	38.2	26.6	37.2	34.4	36.3	42.2	35.4	50.2
		1000	43.5	12.3	41.9	20.1	40.6	28.0	39.6	36.2	38.7	44.4	37.8	52.8
		1050	45.8	12.9	44.2	21.1	42.9	29.4	41.9	38.0	41.0	46.6	40.1	55.5
		1100	48.2	13.5	46.6	22.1	45.3	30.8	44.3	39.8	43.4	48.8	42.5	58.1
BS250	10B	700	48.1	15.0	46.3	23.6	44.5	32.3	44.0	40.9	43.2	49.7	42.3	58.7
		750	52.0	16.2	50.2	25.5	48.4	34.9	48.0	44.3	47.1	53.7	46.2	63.5
		800	55.9	17.4	54.1	27.5	52.3	37.5	51.9	47.6	51.1	57.8	50.2	68.3
		850	59.8	18.6	58.1	29.4	56.3	40.2	55.9	50.9	55.0	61.8	54.1	73.1
		900	63.7	19.8	62.0	31.3	60.2	42.8	59.8	54.3	59.0	65.9	58.1	77.8
		950	67.6	21.1	65.9	33.2	64.1	45.4	63.7	57.6	62.9	69.9	62.0	82.6
		1000	71.5	22.3	69.8	35.2	68.1	48.1	67.7	61.0	66.9	74.0	66.0	87.4
		1050	75.4	23.5	73.7	37.1	72.0	50.7	71.8	64.3	70.8	78.0	69.9	92.2
		BS250D	10B	700	61.2	19.7	58.9	31.1	56.9	42.6	55.1	54.2	53.4	66.7
750	66.1			21.1	63.8	33.4	61.8	45.6	60.0	58.1	58.3	71.5	56.8	85.3
800	71.1			22.6	68.8	35.6	66.8	48.7	65.0	61.9	63.3	76.3	61.8	91.0
850	76.0			24.0	73.7	37.8	71.7	51.7	69.9	65.8	68.2	81.0	66.7	96.7
900	81.0			25.4	78.7	40.0	76.7	54.8	74.9	69.7	73.2	85.8	71.7	102
950	85.9			26.8	83.6	42.3	81.6	57.8	79.8	73.6	78.1	90.6	76.6	108
1000	90.9			28.2	88.6	44.5	86.6	60.9	84.8	77.4	83.1	95.3	81.6	114
1050	95.8			29.6	93.5	46.7	91.5	63.9	89.7	81.3	88.0	100	86.5	119
BS300	12B			700	82.7	24.3	79.7	39.4	77.3	54.9	75.3	70.5	73.6	86.4
		800	95.5	27.8	92.5	45.1	90.1	62.7	88.1	80.6	86.4	98.7	84.8	117
		850	101.9	29.5	98.9	47.9	96.5	66.7	94.5	85.6	92.8	105	91.2	125
		900	108.4	31.3	105.4	50.7	103.0	70.6	101.0	90.7	99.3	111	97.7	132
		950	114.8	33.0	111.8	53.5	109.4	74.5	107.4	95.7	105.7	117	104.1	139

● For the use at 60kPa or more, ask us for information.

Outline Drawing



Model	Bore	A	B	C	D	E	F	G	H	I	J	K	L	M	N	O	P	Q	n	Weight (kg)	
BS 32	1 1/4B	105	219	187	141	233	240	173	872	147	50	—	—	460	560	20	360	M12	4	56	
BS 40	1 1/2B	132	260	224	170	232	242	172	1004	148	50	—	—	460	560	20	360	M12	4	88	
BS 50	2B	144	250	224	147	305	307	255	1222	150	50	—	—	620	720	20	445	M12	4	132	
BS 65	2 1/2B	180	301	258	181	280	291	230	1275	175	50	—	—	620	720	20	445	M12	4	160	
BS 80	3B	180	325	283	197	347	347	302	1470	198	100	—	—	670	870	25	550	M12	4	217	
BS100	4B	214	374	324	224	390	404	325	1535	205	100	—	—	760	960	35	600	M12	4	327	
BS125	5B	271	441	420	259	415	431	365	1865	265	50	—	—	550	1100	1200	35	700	M14	6	530
BS150	6B	306	490	459	285	430	525	395	1919	335	100	—	—	550	1100	1300	35	800	M14	6	690
BS200	8B	392	616	539	376	510	550	465	2081	415	100	—	—	750	1500	1700	35	950	M16	6	1169
BS200D	8B	440	677	585	407	525	585	475	2245	405	100	—	—	750	1500	1700	35	950	M16	6	1521
BS250	10B	440	758	584	489	686	733	651	2196	479	100	—	—	800	1600	1800	35	1200	M18	6	1904
BS250D	10B	700	842	692	517	720	775	680	2599	670	105	630	—	1890	2100	35	1400	M18	8	2420	
BS300	12B	700	797	692	472	813	850	753	2599	577	105	630	—	1890	2100	35	1400	M18	8	2950	

● Weight shown covers the blower with standard accessories without motor

● Standard accessories: Suction silencer · Safety valve · V-pulley · V-belt · Pressure gauge · Base · Belt cover

